



European Softball Federation  
Fédération Européenne Softball

# COMPETITIONS REGULATIONS

Official Edition 2009

As approved by the Executive Council of the ESF of November 1st 1998.

As amended by the Executive Council of the ESF of November 6th 1999, November 11th 2000, November 3rd 2001, February 1st 2002 : art. 17.02, by the General Congress of the ESF of February 2nd 2002 : art. 02.03, 02.04, by the Executive Council of the ESF of March 2nd 2002 : art. 14.07, by the General Congress of the ESF of February 1st 2003 : art. 01.01, 02.01, 14.05.03 to 14.05.06, 15, by the Executive Council of the ESF of November 8th 2003 : art. 14.06, 16, 17.00, 17.02, 17.03, 17.04, 22.01, 28, 31.00 to 31.05, 33.01, 33.03 to 33.05, 36.02, 38.01, 38.02, by the General Congress of the ESF of February 6th 2004: art. 01.01, 02.01, 03.01 to 03.03, 07.01, 09.02.01.01, 09.02.02, 20, 39.03.03.01, 39.03.03.02, by the Executive Council of the ESF on March 15<sup>th</sup> 2004 : 08.01 to 08.05, 09.00, 09.01.01 to 09.01.08, 09.02 to 09.06, 17.04, 18.01 to 18.05, 26 to 29, 30.01, 31, 39.01, 39.02, by the Executive Council of the ESF on August 21<sup>st</sup> 2004 : art. 08.01 to 08.07, 18.01, 19.01 to 19.05, 25.01 to 25.06, 27.04, 28.01 to 28.03, 30.02.01, 30.03, 33.01, 38.01, by the Executive Council of the ESF on November 13<sup>th</sup> 2004 : art. 09.01.08, 09.02.03.01, 09.02.03.03.01, 09.02.03.03.02, 09.02.03.04, 09.04.01.03, 12.02, 12.02.01, 12.02.02, by the Executive Council of the ESF on December 12<sup>th</sup> 2004 : art. 24.01. . by the Executive Council of the ESF on February 4<sup>th</sup> 2005 : 08.03.01 to 08.03.03, 08.04, 08.05, 24.03, 24.05, by the General Congress of the ESF on February 5<sup>th</sup> 2005 : art. 01.02, 01.03, 02.06, 09.01.02, 09.01.02.01 to 09.01.02.07, 10.02.07, 14.01, to 14.04, 14.04.01 to 14.04.03, 14.06.01 to 14.06.04, 14.08, by the Executive Council of the ESF on March 28<sup>th</sup> 2005 : 33.03, by the Executive Council of the ESF of November 29<sup>th</sup> 2005 : 14.01, 14.02, 14.04.01, 14.05.03, 14.06, 15, 24.05.01 to 24.05.03, 33.04, by the General Congress of the ESF of February 3<sup>rd</sup> 2007 : 02.01, 08.04, 10.02.10, 14.04, 14.05.02, 14.05.03, 14.06.01 to 14.06.03, 18.03, 24.02.01, 24.02.02.01 to 24.02.02.03, by the Executive Council of the ESF of February 4<sup>th</sup> 2007 : 01, 02, 07, 08.04, 14.07.03, 15.02, 16, 17.02, 17.05, 17.06., by the Executive Council of the ESF of June 2<sup>nd</sup> 2007 : 16.04.01, 16.04.02, 16.04.03, 16.05.01, 16.05.02, 17.05, 17.06, 27, 34.01, 34.02, 39.01.01, 39.01.02, 39.01.03. by the General Congress of March 8<sup>th</sup> 2008 : 14.07.01 to 14.07.03,

**With amendments adopted by : the Executive Council of November 29<sup>th</sup> 2008 : 01.01, 03.03, 14.01, 16.03, 16.04.01, 16.04.02, 16.04.03, 16.04.04.02, 16.05.01, 16.05.02, 17.04, 18.01, 24.01.01, 24.01.02, 25.01, 26.01, to 26.02.02, 30.01, 39.03.06, the Congress Commission of February 6<sup>th</sup> 2009 : 14.06.04, 14.07.02**

EUROPEAN COMPETITIONS	2
ELIGIBILITY	2
PARTICIPATION	3
ENTRIES FOR COMPETITIONS	3
FORMAT OF COMPETITIONS	4
PROMOTION AND RELEGATION	6
RATINGS	7
COMPETITION SYSTEM	10
RESOLUTION OF TIES	12
PROGRAM OF COMPETITIONS	12
PLAYING RULES	13
PLAYERS	13
PLAYERS LICENCES	15
PLAYERS QUALIFICATION	16
OFFICIAL COMPETITION ROSTER	16
CEREMONIAL	17
PLAYING FIELDS	17
TEAM UNIFORM	17
CANDIDATES FOR ORGANIZING A COMPETITION	17
INSPECTION OF COMPETITION ORGANIZATION	18

ASSIGNMENTS AND APPOINTMENTS OF OFFICIALS	18
DUTIES OF OFFICIALS	19
ACCREDITATION OF MEDIAS	20
SCOREKEEPING AND STATISTICS	20
PROTESTS	20
OBLIGATIONS AND DUTIES OF ORGANIZERS	21
OBLIGATIONS AND DUTIES OF PARTICIPATING TEAMS	21
AWARDS	22
SPECIFIC REGULATIONS FOR YOUTH COMPETITIONS	22
SPECIFIC REGULATIONS FOR SLOWPITCH COED COMPETITIONS	23

## EUROPEAN COMPETITIONS

**01.00.** The ESF organizes, in accordance with its Regulations, the Softball Competitions in Europe, to be referred to as the "European Competitions" :

**01.01.** The "European Championships" for National Teams, to be played according to the following schedule :

Year	Women			Girls			Men	Junior Boys	Coed SP
	Elite	Senior	Under 22	Junior	Cadette	Minime			
2008	X		X	X		X	X		X
2009		X			X			X	
2010	X		X	X		X	X		X
2011		X			X			X	X
2012	X		X	X		X	X		
2013		X			X			X	X

**Note :** Junior Boys Championship and Cadet Girls Championship to be played in the same venue and time.

**01.02.** The Organizers of the European Championships shall be appointed at the annual General Congress in the year before the Championships concerned.

**01.03.** The "European Cups" for Club Teams :

**01.03.01.** The "European Champions Cup" for National League Champions

**01.03.02.** The "European Winners Cup" for National Federation Cup Winners

**01.04.** The European Cups for Women shall be played each year in the third complete week of August. The European Cups for Men shall be played each year in the fourth complete week of August. If special reasons require so, the Executive Council may change these dates.

**01.05.** The Organizers of the European Cups shall be appointed at the annual General Congress in the year of the Cups concerned.

**02.** European Competitions shall normally start on the Monday and end on the Saturday of a given week. Organizers wishing to deviate from this Regulation shall present together with their candidature a request for derogation, to be submitted to the approval of the annual General Congress appointing the Organizers.

## ELIGIBILITY

**03.01.** All Federations affiliated to the ESF and that have discharged their obligations to the ESF as per article 2.2.2 of the Statutes are eligible to take part in the European Championships.

**03.02.** The National League Champions of the preceding year of Federations affiliated to the ESF and that have discharged their obligations to the ESF as per article 2.2.2 of the Statutes , are eligible to take part in the European Champions Cup.

**03.03.** The National Federation Cup Winners of the preceding year of Federations affiliated to the ESF and that have discharged their obligations to the ESF as per article 2.2.2 of the Statutes , are eligible to take part in the European Winners Cup. **In the case when a Federation does not have a National Federation Cup the runner up of their national League Championship may take part in the European Winners Cup.**

**03.04.** Should a team entitled to participate in the Champions Cup or Winners Cup, renounce its right, the runner-up of the National League Championship or National Federation Cup may be admitted to the Competition concerned. If the

runner-up also decides to renounce its right, the team ranked third shall be eligible. If the third ranked team also renounces, no other team can substitute.

**04.01.** The team that wins the Champions Cup or Winners Cup in any one year, shall have the right to participate as defending Champion in the corresponding European Competition the following year.

**04.02.** If this team is also the National League Champion and/or National Federation Cup holder in that year, then the runner-up of the National Competition concerned shall also be eligible for the corresponding European Competition.

**04.03.** Shall a defending Champion renounce to its right of participation, this right shall not be transferred to another team.

**04.04.** When a defending Champion uses its right to defend its title, its participation shall not influence the promotion and/or relegation of other participating teams in the said Competition.

**05.** In the practical application of articles 3 and 4 above in respect of eligibility, the European Champions Cup takes precedence over the European Winners Cup. This means that when a team subscribing to enter in a European Competition would normally be eligible for both the European Champions Cup and the European Winners Cup, the team will only be accepted to play in the European Champions Cup.

## **PARTICIPATION**

**06.** The maximum number of participating teams per Federation in the same Competition will be two.

**07.** Deleted

## **ENTRIES FOR COMPETITIONS**

**08.01.** In order to enter for a Competition, an eligible team shall provide the relevant Entry Form and pay the corresponding Entry Fee.

**08.02.** The duly completed and signed Entry Form must be received by the ESF Secretary General before January 1<sup>st</sup> of the year in which the Competition is to be held.

**08.03.** The Entry Fee as determined by the Executive Council of the ESF, must be received by the ESF Treasurer :

**08.03.01.** Before March 1<sup>st</sup> of the year in which the Competition is to be held, when the official announcement of the appointment of the Organizers of the Competition has been made at the latest at the annual General Congress of this given year ;

**08.03.02.** Within 30 days of the official announcement of the appointment of the Organizers of the Competition when such announcement has not been made at the annual General Congress entitled to do so.

**08.03.03.** After having sent its Entry Form, a team may cancel its entry without penalty by notifying in writing to the ESF Secretary General at least 15 days before the limit dates as contemplated in articles CR 08.03.01 and CR 08.03.02.

**08.04.** After the limit date as contemplated :

**08.04.01.** in article 08.02, late submission of an Entry Form is subject to the assessment of a late-filing penalty, which amount is determined by the Executive Council of the ESF. However, in no case will such late entries be accepted after the final day of the Congress.

**08.04.02.** in article 08.03, late payment of an Entry Fee is subject to the assessment of a penalty, which amount is determined by the Executive Council of the ESF, notwithstanding further penalties and actions as decided by the Executive Council.

**08.05.** If after the limit dates as contemplated in article 08.03, a team withdraws from, or does not participate in, a European Competition,

**08.05.01.** The Entry Fee remains due and is not refundable ;

**08.05.02.** Such a team may be subject to further penalties and action as decided by the Executive Council.

**08.06.** If, by its withdrawal or non participation, a team is directly or indirectly responsible for the cancellation of a Competition for insufficient number of teams pursuant to article CR 09.00, the ESF can not be held responsible for the possible loss or prejudice suffered by the Organizers or the other entered teams for said Competition.

**08.07.** In case of exceptional circumstances the Executive Council may modify the date mentioned in articles 08.02 and 08.03.

## FORMAT OF COMPETITIONS

**09.00.** Teams subscribing to European Competitions are constituted into Divisions in each Competition. The minimum number of teams in one Competition Division will be four, not including the possible Defending Champion. The maximum number of teams in one Competition Division will be twelve, including the possible defending Champion. The Defending Champion is the Holder of the Title of Division "A" in Cup Competitions.

**09.01.01.** For European Championships the following format shall apply :

Number of Teams Subscribing :	4 to 12	13	14 to 22	23 to 30	31 to 38	39 to 46	47 to 50
Championship "A"	4 to 12	9	10	10	10	10	10
Championship "B"	na	4	4 to 12	8	8	8	8
Championship "C"	na	na	na	5 to 12	8	8	8
Championship "D"	na	na	na	na	5 to 12	8	8
Championship "E"	na	na	na	na	na	5 to 12	8
Championship "F"	na	na	na	na	na	na	5 to 8

**09.01.01.01.** If no less than four and no more than twelve teams subscribe, these will be allocated in one Division :

- a European Championship "A", with all registered teams .

**09.01.01.02.** If thirteen teams subscribe, these will be allocated between two Divisions :

- a European Championship "A", with a maximum of nine teams and
- a European Championship "B", with the remaining number of teams.

**09.01.01.03.** If fourteen to twenty-two teams subscribe, these will be allocated between two Divisions :

- a European Championship "A", with a maximum of ten teams and
- a European Championship "B", with the remaining number of teams.

**09.01.01.04.** If twenty-three to thirty teams subscribe, these will be allocated between three Divisions :

- a European Championship "A", with a maximum of ten teams,
- a European Championship "B", with a maximum of eight teams and
- a European Championship "C", with the remaining number of teams.

**09.01.01.05.** If thirty-one to thirty-eight teams subscribe, these will be allocated between four Divisions :

- a European Championship "A", with a maximum of ten teams,
- a European Championship "B", with a maximum of eight teams,
- a European Championship "C", with a maximum of eight teams and
- a European Championship "D", with the remaining number of teams.

**09.01.01.06.** If thirty-nine to forty-six teams subscribe, these will be allocated between five Divisions :

- a European Championship "A", with a maximum of ten teams,
- a European Championship "B", with a maximum of eight teams,
- a European Championship "C", with a maximum of eight teams,
- a European Championship "D", with a maximum of eight teams and
- a European Championship "E", with the remaining number of teams.

**09.01.01.07.** If forty-seven to fifty teams subscribe, these will be allocated between six Divisions :

- a European Championship "A", with a maximum of ten teams,
- a European Championship "B", with a maximum of eight teams,
- a European Championship "C", with a maximum of eight teams,
- a European Championship "D", with a maximum of eight teams,
- a European Championship "E", with a maximum of eight teams and
- a European Championship "F", with the remaining number of teams.

**09.01.02.** For European Competitions other than Championships, the following format shall apply :

Number of Teams Subscribing : (not including Cup "A" Defender )	4 to 11	12	13 to 21	22 to 29	30 to 37	38 to 45	46 to 52
Cup "A"	4 to 11 plus DEF	8 plus DEF	9 plus DEF	9 plus DEF	9 plus DEF	9 plus DEF	9 plus DEF
Cup "B"	na	4	4 to 12	8	8	8	8
Cup "C"	na	na	na	5 to 12	8	8	8
Cup "D"	na	na	na	na	5 to 12	8	8
Cup "E"	na	na	na	na	na	5 to 12	8
Cup "F"	na	na	na	na	na	na	5 to 11

**09.01.02.01.** If no less than four and no more than eleven teams subscribe, not including the possible defending Champion, these will be allocated in one Division :

- a European Cup "A", with all registered teams, plus the possible defending Champion.

**09.01.02.02.** If twelve teams subscribe, not including the possible defending Champion, these will be allocated between two Divisions :

- a European Cup "A", with a maximum of eight teams, plus the possible defending Champion, and
- a European Cup "B", with the remaining number of teams.

**09.01.02.03.** If thirteen to twenty-one teams subscribe, not including the possible defending Champion, these will be allocated between two Divisions :

- a European Cup "A", with a maximum of nine teams, plus the possible defending Champion, and
- a European Cup "B", with the remaining number of teams.

**09.01.02.04.** If twenty-two to twenty-nine teams subscribe, not including the possible defending Champion, these will be allocated between three Divisions :

- a European Cup "A", with a maximum of nine teams, plus the possible defending Champion,
- a European Cup "B", with a maximum of eight teams and
- a European Cup "C", with the remaining number of teams.

**09.01.02.05.** If thirty to thirty-seven teams subscribe, not including the possible defending Champion, these will be allocated between four Divisions :

- a European Cup "A", with a maximum of nine teams, plus the possible defending Champion,
- a European Cup "B", with a maximum of eight teams,
- a European Cup "C", with a maximum of eight teams and
- a European Cup "D", with the remaining number of teams.

**09.01.02.06.** If twenty-eight to forty-five teams subscribe, not including the possible defending Champion, these will be allocated between five Divisions :

- a European Cup "A", with a maximum of nine teams, plus the possible defending Champion,
- a European Cup "B", with a maximum of eight teams,
- a European Cup "C", with a maximum of eight teams,
- a European Cup "D", with a maximum of eight teams and
- a European Cup "E", with the remaining number of teams.

**09.01.02.07.** If forty-six to fifty-two teams subscribe, not including the possible defending Champion, these will be allocated between six Divisions :

- a European Cup "A", with a maximum of nine teams, plus the possible defending Champion,
- a European Cup "B", with a maximum of eight teams,
- a European Cup "C", with a maximum of eight teams,
- a European Cup "D", with a maximum of eight teams,
- a European Cup "E", with a maximum of eight teams and
- a European Cup "F", with the remaining number of teams.

**09.01.03.** The allocation of teams within the Divisions of a Competition is made according to their rating in said Competition, teams being allotted to the Divisions of a Competition in the descending order of their rating and in the descending order of the Divisions.

**09.01.04.** The allocation of teams within the Divisions of a Competition is effected immediately after the closing date for subscriptions as stated in article 08 and is notified to all Affiliated Federations.

**09.01.05.** For the allocation of teams, their rating represents only their hierarchy within the Competition and not a right to be allotted in the Division they are rated in.

**09.01.06.** Once the allocation of teams has been effected, for teams having not subscribed, and thus having not been allotted, the procedure of article 09.05.03 is applied.

**09.01.07.** Once the allocation of teams has been effected the format of the Competition shall be considered final and not subject to change.

**09.01.08.** In the case when a team withdraws, either by its own fact or as a result of not respecting the conditions of eligibility or of participation, after the notification of the allocation of teams as stated in article 09.01.04, and before the 30 days deadline as stated in article 12.02 :

**09.01.08.01.** The withdrawing team is retired from the allocation of teams and considered as having not subscribed, the procedure of article 09.05. is applied., without prejudice of the possible financial penalties.

**09.01.08.02.** If such withdrawal concerns the A Division of Championships Senior Men or Women and is established within 30 days after the notification of the allocation, the procedure of promotion of article 09.02.02 is applied, and the allocation of teams between Divisions is modified accordingly.

**09.01.08.03.** If such withdrawal does not enter within the scope of article 09.01.08.02, the allocation of teams between Divisions is not modified further.

## **PROMOTION AND RELEGATION**

**09.02.** Promotion and relegation of teams occur in the following cases :

**09.02.01.** As a consequence of the final standing of a team in Competition :

**09.02.01.01.** Between Divisions A and B of Championship Women Fastpitch only :

**09.02.01.01.01.** If thirteen teams or less are ranked : the last ranked team of Division A is relegated to Division B and the first ranked team of Division B is promoted to Division A ;

**09.02.01.01.02.** If fourteen teams or more are ranked : the two last ranked teams of Division A are relegated to Division B and the two first ranked teams of Division B are promoted to Division A ;

**09.02.01.02.** Between the other Divisions of Championship Women Fastpitch, and all Divisions of all other Competitions, the last ranked team of a Division is relegated to the immediately lower Division and the first ranked team of a Division is promoted to the higher Division.

**09.02.01.03.** Such promotions and relegations take effect immediately after the completion of the Competition.

**09.02.02.** As a consequence of a vacancy in the Division A of Championships Senior Fastpitch Men and Women under the conditions of article 09.01.08.02 :

**09.02.02.01.** For Championships Senior Fastpitch (Men and Women), if the number of teams in Division "A" is less than ten (10) when specified as such in article 09.01.01 the two first rated teams of Division "B" are offered the possibility to promote to Division "A" as follows :

**09.02.02.02.** If one place is vacant in Division "A" promotion is offered to first allotted team of Division "B". If said team accepts the promotion it becomes effective immediately. If said team renounces to this promotion the second allotted team of Division "B" is offered this promotion. If said team accepts the promotion it becomes effective immediately. If said team renounces to this promotion no other team can be offered this option.

**09.02.02.03.** If more than one place is vacant in Division "A" promotion is offered to the first and second allotted teams of Division "B". Any of said teams accepting the promotion is promoted immediately. If any of said teams renounces to this promotion no other team can be offered this option.

**09.02.02.05.** Should the possible application of article 09.02.02 reduce the number of teams in Division B to less than four (4), then it should not be implemented.

**09.02.02.06.** Once informed that they are offered a possible promotion to Division "A", concerned teams shall officially notify their acceptance or renouncement in writing to the ESF Secretary General within 15 days. The lack of answer within this delay shall be considered as a renouncement.

**09.02.03.** As a consequence of the non participation of a team to a Competition to which it subscribed :

**09.02.03.01.** A team that does not effectively take part to, or withdraws from, a Competition to which it subscribed is relegated to the Division immediately lower than its Division of origin within said Competition, at a rank immediately under the lowest ranked team of the Division of relegation. The highest ranked team of the lower Division is then promoted to the higher Division as replacement. However, a team having been already,

for a given year, relegated from the higher Division in application of article 09.02.01. can not be promoted the same year to the higher Division in application of article 09.02.03.

**09.02.03.02.** When several teams from the same Division are relegated in application of article 09.02.03.01, they are relegated in the lower Division in the order of their rating in the higher Division. The same number of teams is promoted from the lower Division, in the order of their rating in the lower Division.

**09.02.03.03.** In the application of article 09.02.03.01, relegations take effect :

**09.02.03.03.01.** immediately once the non participation is established, when such relegation is effected under article 09.01.08,

**09.02.03.03.02.** after the completion of the Competition, when such relegation is effected under article 12.02.

**09.02.03.04.** In the application of article 09.02.03.01, promotions take effect after the completion of the Competition.

**09.02.04.** As a consequence of the non subscription of a team to a Competition to which it was eligible :

**09.02.04.01.** A team that does not subscribe in a given Competition in which it was eligible to take part, is relegated to the Reserve Division of said Competition.

**09.02.04.02.** When several teams are relegated in application of article 09.02.04.01, they are relegated in the Reserve Division in the order of their rating in their Divisions of origin.

**09.02.04.03.** In the application of article 09.02.04.01, relegations are effected at the closing date for subscriptions as defined in article 08.04 and take effect immediately.

**09.02.04.04.** The Reserve Division of a Competition is taken into consideration only for relegation in application of article 09.02.04. There is no relegation to, or promotion from, the Reserve Division for the application of articles 09.02.01, 09.02.02, 09.02.03.

## RATINGS

**09.03.** The rating of a team in a given Competition is the basis for determination of its qualification for the next Competition. The rating of a team in a given Competition is primarily defined, for said Competition, by the Division in which the team has played and its rank inside this Division. For hierarchy purpose, the Division has precedence on the rank. For example : rating A5 is higher than rating B3. The rating of teams for the next Competition is determined after all ranks in all Divisions of a given Competition are known, as follows :

RATINGS - DIVISION "X"		
Div.	rank	rating
X	1st	X1
	2nd	X2
	3rd	X3
	4th	X4
	5th	X5
	6th	X6
	7th	X7
	8th	X8
	9th	X9
	10th	X10
	11th	X11
	12th	X12

**09.03.01.** For the "A" Division of Cup Competitions the rank of a defending Champion is neutralized for the determination of the rating as per article 04.04. If the possible defending Champion has also the first Place in the Competition, he receives an A0 rating. The first ranked team, if not the defending Champion, receives an A1 rating as Winner, this rating being transmitted to the team that will represent the Federation in next Competition, and an A0 rating as the new defending Champion.

RATING - Cup Division A			RATING - Cup Division A		
Defender has 1st Place			Defender has NOT 1st Place		
Div.	Rank	rating	Div.	Rank	rating
A	1st	A1	A	1st	A0 + A1
	2nd	A2		2nd	A2
	3rd	A3		3rd	A3
	4th	A4		4th	A4
	5th	A5		5th	A5
	6th	A6		6th	A6
	7th	A7		7th	A7
	8th	A8		8th	A8
	9th	A9		9th	A9
	10th	A10		10th	A10
	11th	A11		11th	A11
DEF.	A0	DEF.	na		

NOTE : Ranks determined WITHOUT taking the Defending Champion into account

**09.03.02.** In Cup Competitions, and except for a Title Holder as Defending Champion, the rating is obtained by a team but is attributed to the Federation of belonging of said team. This rating is then the rating of the team that represents said federation in next Competition.

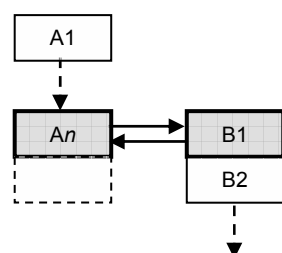
**09.04.** Once the primary ratings have been defined for each Competition according to article 09.03, promotions and relegations are effected as follows :

**09.04.01.** The ratings of teams promoted and relegated as a consequence of their final standings in Competition as per article 09.02.01, are determined as follows :

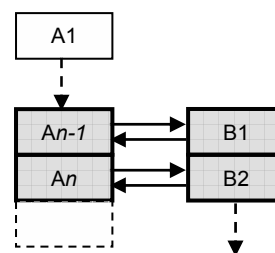
**09.04.01.01.** When one team is promoted and one team is relegated : The last ranked team of the higher Division and the first ranked team of the lower Division exchange their ratings :

**09.04.01.02.** When two teams are promoted and two teams are relegated : The two last ranked team of the higher Division and the two first ranked team of the lower Division exchange respectively their ratings.

Promotion and relegation of one team  
(article 09.04.01.01)



Promotion and relegation of two team  
(articles 09.04.01.02)



**09.04.01.03.** For the determination of the last ranked team or teams, all teams appearing in the standings of the Competition are taken into account, this including teams having effectively taken part to the Competition and teams mentioned in the Competition's Schedule or standings but not having effectively taken part as per article 12.02.

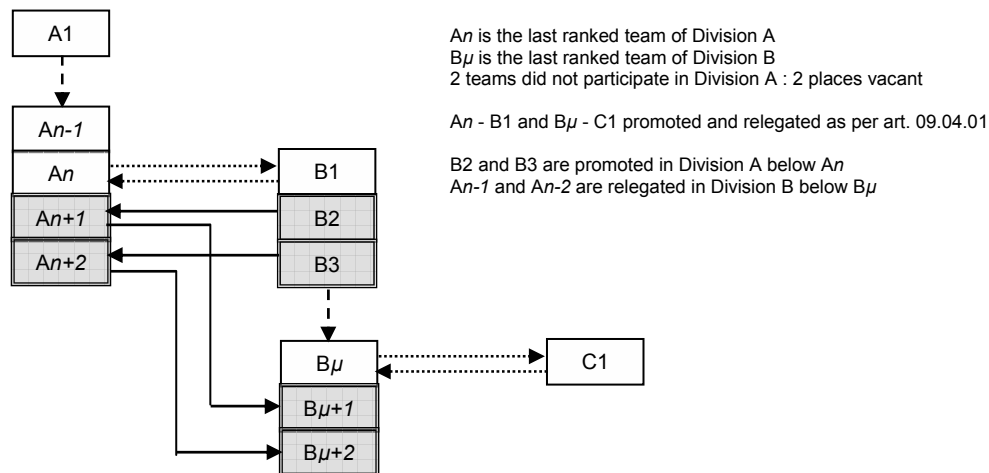
**09.04.02.** The ratings of teams promoted and relegated as a consequence of non participation after subscription in application of article 09.02.03, are determined as follows :

**09.04.02.01.** The first team or teams ranked in the lower Division after the team or teams relegated from the higher Division in application of article 09.04.01 are promoted to the higher Division in the limit of the number of places vacant, in the order of their initial rating, after the last ranked team of the higher division, and receive a new rating in the higher Division.

**09.04.02.02.** The teams relegated from the higher Division are transferred in the lower Division in the order of their initial ranking in the higher Division, after the last ranked team of the lower Division, and the teams of the lower Division are re-rated according to this new ranking.

**09.04.02.03.** The procedure of articles 03.04.02.01 and 03.04.02.02 must be effected after the procedure of article 09.04.01, and shall not affect the teams promoted and relegated according to said article 09.04.01.

Promotion and relegation of teams as per article 09.04.02



**09.04.03.** Once all promotions and relegations as stated in articles 09.04.01, 09.04.02 and 09.04.03 have been effected, the ratings of Divisions where changes have occurred are determined again according to article 09.03. These ratings are then final for the next Competition Year

**09.05.** Ratings can be altered during the Competition Year in the following circumstances :

**09.05.01.** Teams are promoted in application of article 09.02.02 they take the vacant places in the A Division and their rating is changed accordingly.

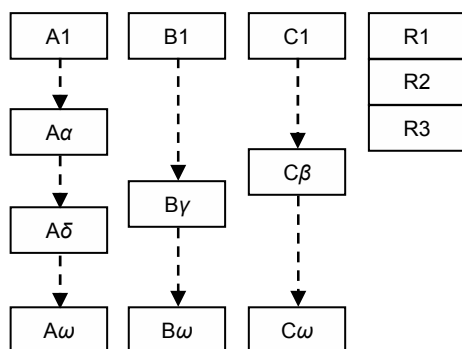
**09.05.02.** Teams that subscribe for the first time in a given European Competition receive a specific N rating, their rank within this rating being defined in the order of arrival of subscriptions. Hierarchically the N rating is below the rating of the lowest existing Division for said Competition, but above the rating of the Reserve Division.

**09.05.03.** Teams that have not subscribed to a Competition to which they were eligible and are relegated to the Reserve Division in application of article 09.02.04 are ranked in the Reserve Division on top of the teams already in the Reserve Division and in the order of their ratings in their Divisions of origin. Once all teams subject to article 09.02.04 have been transferred to the Reserve Division ratings in the Division are re-determined as per article 09.03.

Relegation in the Reserve Division as per article 09.05.03

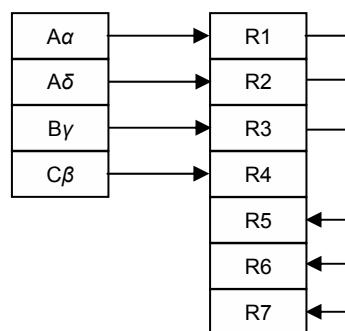
Before application of article 09.05.03 :

In Division A : 2 teams *Aα* and *Aδ* did not subscribe  
 In Division B : 1 team *Bγ* did not subscribe  
 In Division C : 1 team *Cβ* did not subscribe  
 3 teams *R1* *R2* and *R3* are already in Reserve Division



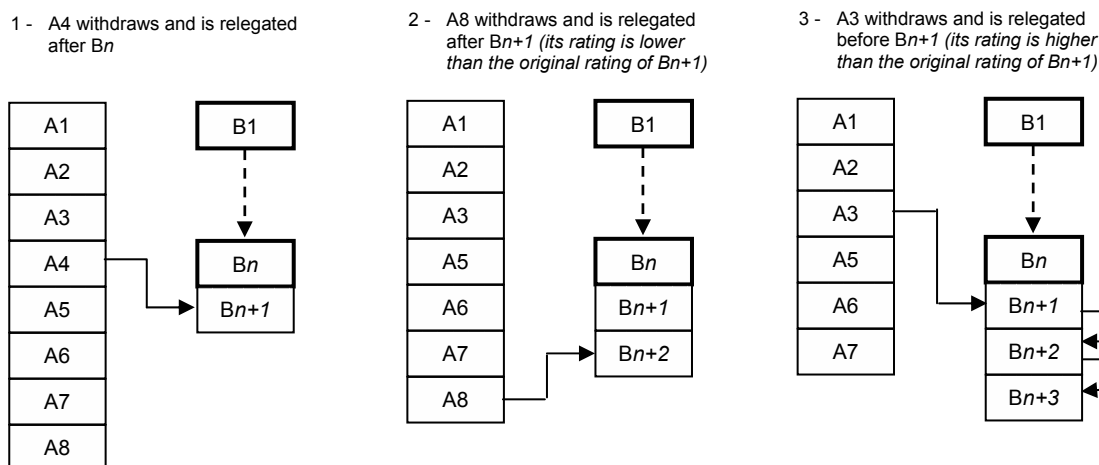
Application of article 09.05.03 :

*Aα*, *Aδ*, *Bγ*, *Cβ* are relegated in reserve Division in that order and rated in Reserve Division  
 Teams already in Reserve Division are shifted to lower ratings



**09.05.04.** Teams that withdraw, are retired or do not effectively take part to the Competition are relegated in application of article 09.02.03 and receive a provisional rating in the Division of relegation, this rating starting immediately the last rated team of said Division. This provisional rating may be altered if other relegations are effected to said Division, as the hierarchical order of the ratings of relegated teams in the Division of relegation must be the same as the hierarchical order of their ratings in their Division of origin.

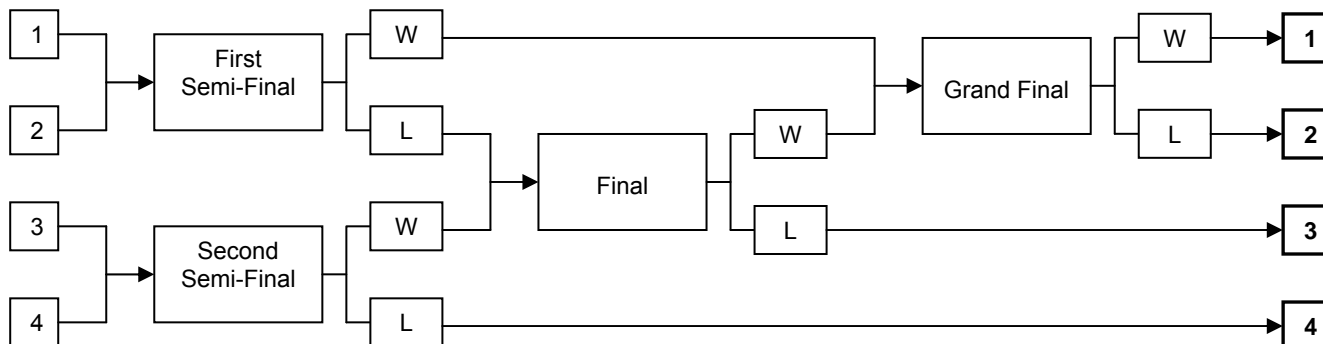
#### Relegations as per article 09.05.04



**09.06.** The right of a team for promotion to an higher Division in next Competition is not absolute, but is contingent to the actual number of teams having registered to said Competition. If after the closing of subscriptions and the application of the Rules for allocation the promotion of the team is not possible said team can not claim suffering a tort from this situation.

## COMPETITION SYSTEM

**10.01.** All European Competitions shall be concluded by the following "Page System" :



First semi-final : The teams ranked first and second shall play for a place in the grand final.

Second semi-final : The teams ranked third and fourth shall play for a place in the final. The loser is the fourth of the Competition.

Final : The loser of the first semi-final and the winner of the second semi-final shall play for the second place in the grand final. The loser is the third of the Competition.

Grand Final : The winner of the first semi-final and the winner of the final shall play for the first place in the Competition. The loser is second of the Competition

**10.02.** Qualification to the Page System will be conducted as follows :

**10.02.01.** with 4 teams : Double round robin "a".  
Teams ranked 1 to 4 play the "Page System" finals.

**10.02.02.** with 5 teams : Double round robin "a".  
Teams ranked 1 to 4 play the "Page System" finals.  
Team ranked 5 will be 5th in the Competition.

**10.02.03.** with 6 teams : Single round robin "a".  
 Teams ranked 1 to 4 play the "Page System" finals.  
 Teams ranked 5 and 6 play against each other to determine places 5 and 6.

**10.02.04.** with 7 teams : Single round robin "a".  
 Teams ranked 1 to 4 play the "Page System" finals.  
 Teams ranked 5 to 7 play a single round robin "b" to determine places 5, 6, and 7.

**10.02.05.** with 8 teams : Single round robin "a".  
 Teams ranked 1 to 4 play the "Page System" finals.  
 Teams ranked 5 and 6 will respectively be 5th and 6th in the Competition.  
 Teams ranked 7 and 8 play against each other to determine places 7 and 8.

**10.02.06.** with 9 teams : Single round robin "a".  
 Teams ranked 1 to 4 play the "Page System" finals.  
 Teams ranked 5, 6, 7, 8 and 9 will respectively be 5th, 6th, 7th, 8th and 9th in the Competition.

**10.02.07.** with 10 teams : Two groups "a" and "b" both of five teams.  
 Each group plays a single round robin.  
 Then teams ranked 1, 2 and 3 of both groups play a single round robin "c" in which the games between these teams of the first round robins "a" and "b" will also be considered as a played game for this round robin "c".  
 Teams ranked 4 and 5 of both groups play a single round robin "d" in which the games between these teams of the first round robins "a" and "b" will also be considered as a played game for this round robin "d".  
 Teams ranked 1 to 4 of round robin "c" then play the "Page System" finals.  
 Teams ranked 5 and 6 of round robin "c" will respectively be 5<sup>th</sup> and 6<sup>th</sup> in the Competition.  
 The final results of round robin "d" will determine the places 7 to 10 in the Competition.

**10.02.08.** with 11 teams : Two groups : one of 5 teams "a" and one of 6 teams "b" .  
 Each group plays a single round robin.  
 Then teams ranked 1 and 2 of both groups play a single round robin "c" in which the games between these teams of the first round robins "a" and "b" will also be considered as a played game for this round robin "c" and then the "Page System" finals.  
 Teams ranked 3 and 4 of both groups play a single round robin "d" in which the games between these teams of the first round robins "a" and "b" will also be considered as a played game for this round robin "d" to determine the places 5 to 8.  
 Teams ranked 5 and 6 of both groups play a single round robin "e" in which the games between these teams of the first round robins "a" and "b" will also be considered as a played game for this round robin "e" to determine the places 9 to 11.

**10.02.09.** with 12 teams : Two groups "a" and "b" both of 6 teams .  
 Each group plays a single round robin.  
 Then teams ranked 1 and 2 of both groups play a single round robin "c" in which the games between these teams of the first round robins "a" and "b" will also be considered as a played game for this round robin "c" and then the "Page System" finals.  
 Teams ranked 3 of both groups play a single round robin "d" to determine the places 5 and 6 (toss).  
 Teams ranked 4 of both groups play a single round robin "e" to determine the places 7 and 8 (toss).  
 Teams ranked 5 of both groups play a single round robin "f" to determine the places 9 and 10 (toss).  
 Teams ranked 6 of both groups play a single round robin "g" to determine the places 11 and 12 (toss).

NUMBER OF GAMES IN TERMS OF NUMBER OF TEAMS									
Number of Games	Number of Teams								
	4	5	6	7	8	9	10	11	12
Qualification	12	20	15	21	28	36	20	25	30
Classification	-	-	1	3	1	-	13	10	8
Page System	4	4	4	4	4	4	4	4	4
Total Games	16	24	20	28	33	40	37	39	42

**10.02.10.** The above formats apply for Fastpitch Competitions. For Slowpitch Competitions specific formats will be released.

**10.03.** The composition of the groups is made up by the Technical Commission as follows, based on the rating of the Federations' teams.

Group "a"	Group "b"
1	2
4	3
5	6
8	7
9	10
12	11

## RESOLUTION OF TIES

**11.** When teams are tied after a round robin the tie shall be resolved by following the procedure for resolution of ties of the ISF Technical and Procedural Code.

Procedural note : The procedure is applied step by step for all teams tied. When the tie has been resolved for one team, and the other teams remain tied, the procedure is resumed from the first step for the remaining teams tied until no more tie exists.

Application of the Procedure :

IF NO GAME OF THE PAGE SYSTEM IS PLAYED : Refer to the Results of the Round Robin

AS SOON AS A GAME HAS BEEN PLAYED IN THE PAGE SYSTEM : If it results in the elimination of a team, this Game is validated.

*Note : This concerns the Second Semi Final, the Final, and the Grand Final. In the First Semi Final no Team is eliminated from the Page System*

IF FIRST SEMI FINAL ONLY IS PLAYED : No Team is eliminated, refer to the Ranking of the Round Robin for determination of the Final Places.

IF SECOND SEMI FINAL ONLY IS PLAYED : Loser of Second Semi Final has 4<sup>th</sup> Place, refer to the ranking of Round Robin for 1<sup>st</sup>, 2<sup>nd</sup> and 3<sup>rd</sup> Places (Winner of Second Semi Final has 3<sup>rd</sup> Place).

IF FIRST AND SECOND SEMI FINAL ARE PLAYED : Loser of Second Semi Final has 4<sup>th</sup> Place, refer to the ranking of Round Robin for 1<sup>st</sup>, 2<sup>nd</sup> and 3<sup>rd</sup> Places (Winner of Second Semi Final has 3<sup>rd</sup> Place).. The result of First Semi Final is not taken in account as this game can not be validated

*Note : It can therefore be sometimes recommended to play Second Semi Final before First Semi Final, as the result of Second Semi Final allows to determine the ranking for 4<sup>th</sup> place.*

IF SEMI FINALS AND FINAL ARE PLAYED : Loser of Final has 3<sup>rd</sup> Place, Loser of Second Semi Final has already 4<sup>th</sup> Place, refer to the Ranking of the other Teams in the Round Robin for determination of 1<sup>st</sup> and 2<sup>nd</sup> Places. (The result of First Semi Final is also not taken in account as this game can not be validated.

*Note : When referring to the ranking of Teams in the Round Robin, refer to the relative ranking of teams between them and not to their absolute ranking*

*Example :*

*The ranking of the Round Robin is 1:A, 2:B, 3:C, 4:D (A, B, C, D)*

*- B wins the First Semi Final (A-B), D wins the Second Semi Final(C-D). C has the 4<sup>th</sup> Place of the Competition.*

*- If the Competition is disrupted at this stage the Final Places will be : A, B, D, C.*

*- The Final (A-D) is won by D. A has the 3<sup>rd</sup> Place of the Competition.*

*- If the Competition is disrupted at this stage the Final Places will be : B, D, A, C.*

## PROGRAM OF COMPETITIONS

**12.01.** The Technical Commission establishes the provisional Competition Schedule and sends it to the Organizers and the Members of the Executive Council, who may suggest changes.

Proposals for changes must arrive at the Headquarters of the ESF within one month of the date of issue. Thereafter the Technical Commission shall make its decision.

As from that moment the Schedule becomes official.

**12.02.** If within 30 days prior to the start of a Competition a team cancels its participation or does not show up at the Competition this team will however be taken into account in the standings of the Competition as follows :

**12.02.01.** the game schedule will not be changed unless special circumstances occur, all games due to be played by that team shall be forfeited.

**12.02.02.** If the game schedule is changed, such team shall be kept in the standings of said competition for determination of the rankings.

**12.03.** The teams shown first in the list of games of the Competition Schedule will be considered to be "the home team". A "toss" is only carried if mentioned in the Competition System.

## PLAYING RULES

**13.** The games of European Competitions shall be played in accordance with the Playing Rules and the Technical & Procedural Code of the International Softball Federation (ISF) unless otherwise stated in these articles.

## PLAYERS

**14.01.** Each team shall be made up of a minimum of nine players, in Fastpitch, or ten players, in Coed Slowpitch, who shall stay for the entire duration of the tournament, and a maximum of seventeen players, in Fastpitch, or eighteen players, in Coed Slowpitch. The passport or ID card of the players shall be checked during the technical meeting. At that moment each team must be present and represented by at least nine players, in Fastpitch, or ten players, in Coed Slowpitch.

~~**If during a Competition a team's result is decided as a "forfeited game" due to an insufficient number of players, the team will be withdrawn entirely from the Competition completely and all their games' results will be nullified.**~~

**14.02.** If a team of less than seventeen players, in Fastpitch, or eighteen players, in Coed Slowpitch but not less than nine players, in Fastpitch, or ten players, in Coed Slowpitch, arrives at the Tournament, the team may request permission of the Technical Committee to complete the group of players after the beginning of the Competition. This request must be made in writing during the ID control at the Competition. The request must contain the name(s), surname(s) and the passport or ID card number of the players concerned.

The request will not be accepted if additional players arrive after the round robin games.

**14.03.** No foreign players will be accepted as being eligible for European Championships.

**14.04.** deleted

**14.05.01.** A foreign player for the purpose of article 14.03 is a person not of the same nationality as the Federation represented by the National Team.

**14.05.02.** deleted

**14.05.03.** The nationality of every player will be determined by a passport or an I.D. card, issued by a national authority of an ESF member country, and giving proof of citizenship, which has to be presented at the technical meeting, to the exclusion of any other document.

**14.05.04.** A player who is a national of two or more countries at the same time may represent either one of them, as he may elect. However, after having represented one country of the resort of the ESF, in an ESF competition, or any country in any competition as referred to in Bye-Law of article 42 of the Olympic Charter, he may not represent another country of the resort of the ESF in an ESF competition unless he meets the conditions set forth in article CR 14.05.05 below that apply to persons who have changed their nationality or acquired a new nationality.

**14.05.05.** A player who has represented one country of the resort of the ESF in an ESF competition, or any country in any competition as referred to in Bye-Law of article 42 of the Olympic Charter, and who changed his nationality, may participate in a competition to represent his new country of the resort of the ESF in an ESF competition provided that at least three years have passed since the player last represented his former country. This period may be reduced or even cancelled with the agreement of the national federations concerned, by the ESF Executive Council, which takes into account the circumstances of each case.

**14.05.06.** Cases not covered by articles 14.05.04 and 14.05.05 shall be dealt with in accordance with the Bye-Law of article 42 of the Olympic Charter.

**14.06.01.** Within the frame of the present Regulations, a Club is defined as an entity that consists of a group of softball players, all of whom are citizens of ESF-member countries.

**14.06.02.** For purposes of determining player eligibility in ESF Cup Competitions, a Pick-Up player is defined to be a player who is not an otherwise bona fide member of a club that has qualified for participation in an ESF Cup Competition.

**14.06.03.** For 2008 and beyond : Notwithstanding the player restrictions imposed in the definition of a Club, each Club that qualifies for participation in an ESF Cup Competition shall be entitled to include a maximum of 3 (THREE) Pick-Up players on its final competition roster for the Cup Competition.

**14.06.04. For the competition European Cup Co-ed Slowpitch (ECCS) for the period 2009-2010 the maximum number of Pick-Up Players on a team's final Competition Roster shall be 6 (SIX) with the limit of 3 (THREE) female and 3 (THREE) male. From 2011 and beyond the maximum number of Pick-Up Players shall then be 4 (FOUR) limited to 2(TWO) female and 2 (TWO) male.**

**Interpretation Note for article 14.06 :** There are no practical eligibility restrictions on Pick-Up players - they may come from another club within the same National Federation, from other ESF-affiliated federations, or from any other country in the world. The only restriction on their use is that they must be identified as Pick-Up players on the Application for Player Licenses that the club must submit to the ESF prior to the competition. To allow for possible injuries or other extenuating circumstances, there is no theoretical limit on the number of players that a club may identify as Pick-Up players on its Application for Player Licenses - the limit of three will apply to the final competition roster that is submitted during the ID Control.

**14.07.01.** For European Competitions the qualification inside a category of age is determined as of the 31<sup>st</sup> of December of the year of the Competition, as follows :

Category of Age	Age
Minime	10 to 13
Cadet	14 to 16
Junior	17 to 19
Under 22	20 to 22
Senior	23 and more

**14.07.02.** A player who has not yet reached the minimum age for a category of age can however be qualified in this category of age if he/she has the following minimum required age, determined at the day of the Competition : 10 years for Cadet, 14 years for Juniors, **15 years for Under 22 and Seniors in B pool Championships**, 17 years for Under 22 and Seniors **in other Competitions**

**14.07.03.** The qualification of Players in a Category of Age is determined as follows :

QUALIFICATION OF PLAYERS IN A CATEGORY OF AGE ACCORDING TO THEIR BIRTH DATE COMPETITIONS 2009														
Player born between January 1 <sup>st</sup> and December 31 <sup>st</sup> of Year :	1986 and before	1987	1988	1989	1990	1991	1992	1993	1994	1995	1996	1997	1998	1999
Age of Player at December 31 <sup>st</sup> 2009 :	23 and more	22	21	20	19	18	17	16	15	14	13	12	11	10
SENIOR	Std. Qual.	Sgls Upgrd Qual.	Sgls Upgrd Qual.	Sgls Upgrd Qual.	Dble Upgrd Qual.	Dble Upgrd Qual.	Dble Upgrd Qual.	Not Qual.	Not Qual.	Not Qual.	Not Qual.	Not Qual.	Not Qual.	Not Qual.
UNDER 22	Not Qual.	Std. Qual.	Std. Qual.	Std. Qual.	Sgls Upgrd Qual.	Sgls Upgrd Qual.	Sgls Upgrd Qual.	Not Qual.	Not Qual.	Not Qual.	Not Qual.	Not Qual.	Not Qual.	Not Qual.
JUNIOR	Not Qual.	Not Qual.	Not Qual.	Not Qual.	Std. Qual.	Std. Qual.	Std. Qual.	Sgls Upgrd Qual.	Sgls Upgrd Qual.	Sgls Upgrd Qual.	Not Qual.	Not Qual.	Not Qual.	Not Qual.
CADET	Not Qual.	Not Qual.	Not Qual.	Not Qual.	Not Qual.	Not Qual.	Not Qual.	Std. Qual.	Std. Qual.	Std. Qual.	Sgls Upgrd Qual.	Sgls Upgrd Qual.	Sgls Upgrd Qual.	Sgls Upgrd Qual.
MINIME	Not Qual.	Not Qual.	Not Qual.	Not Qual.	Not Qual.	Not Qual.	Not Qual.	Not Qual.	Not Qual.	Not Qual.	Std. Qual.	Std. Qual.	Std. Qual.	Std. Qual.

Horizontal Lines represent the Categories of Age and Vertical Lines represent the Age of Players (determined either by the Year of birth or the Age itself). The intersection of each Horizontal Line and Vertical Line indicates if the Player is qualified for the given Category of Age according to his/her Year of Birth and/or Age.

QUALIFICATION OF PLAYERS			
Qualification		Result	Notes
Std. Qual.	Standard Qualification	PLAYER QUALIFIED	The Age of the Player is within the Limits for this Category of Age
Sgle Upgrd Qual.	Single Upgrade Qualification	PLAYER QUALIFIED	Although of the immediate lower Category of Age, the Player is qualified according to article 14.07.02
Dble Upgrd Qual.	Double Upgrade Qualification	PLAYER QUALIFIED	Although of a two-levels lower Category of Age, the Player is qualified according to article 14.07.02
Not Qual.	Not Qualified	PLAYER NOT QUALIFIED	The Player is either too young or too old to be qualified in this Category of Age

**14.08.** A team with less than nine players in Fastpitch, or ten players, in Coed Slowpitch, at the moment of the ID.control cannot participate in the Competition. The subscription fee will not be refunded.

**15.01** A player who cannot present his passport or ID. Card to the ID.control, will not be allowed to participate in the Competition.

**15.02** A player who has been excluded from playing by an Affiliated Federation, may not participate in European Competitions. Affiliated Federations shall inform the ESF of such exclusions.

### **PLAYERS LICENCES (Article transferred from the Administration Regulations):**

**16.00.** Only those players officially licensed by the ESF may participate as players in European Championships, Cups or Competitions organized by the ESF

**16.01.** After entry to a Championship or Cup Tournament the Federation or Club team shall submit to the ESF the Application Form for Licences.

**16.02.** The completed Application Form for Licences must state : The Name of the Federation or Club team and, for each player : his/her Surname, First Name, Date of Birth, Nationality, indication if the Player is or not a Pick-up Player, ESF Licence Number if already supplied  
This Form provides for a maximum of thirty (30) names of participants.

**16.03.** The completed Application Form for Licences must be signed by the legal Representative of the appropriate Affiliated Federation and in the case of a participating Club it must be **also** signed by the Club's legal Representative. For players other than Pick-up Players, the Application Form for Licences, duly endorsed by the National Federation and Club, constitutes the Official Declaration and Affidavit that the Players are bona fide Members of the Club as contemplated in article 17.02.

**16.04.01.** The Federation or Club team shall send the Application Form for Licences, duly signed, to the ESF no later than forty five (45) days before the opening date of the tournament. The late submission of an Application Form for Licences is subject to the assessment of a late-filing penalty, which amount is ~~determined by the Executive Council of the ESF~~ **indicated in the Financial Appendix.**

**16.04.02.** ~~For Championships, No~~ Application Form for Licences will be accepted ~~after the start of the Technical Meeting.~~

**16.04.03.** ~~For Cups, no Application Form for Licences will be accepted~~ later than 30 (THIRTY) days before the start of the Competition. A ~~Club~~-Team which has not submitted its Application Form for Licences within the 30 days delay will be automatically excluded from the Competition.

16.04.04.01 The modification of an already submitted Application Form for Licences before the 45 days delay as contemplated in article 16.04.01 is always possible without any penalty.

16.04.04.02 The modification of an already submitted Application Form for Licences after the 45 days delay as contemplated in article 16.04.01 and before the limit date as contemplated in article 16.04.02 ~~or 16.04.03 as applicable~~ is considered as the submission of a late Application Form and is contingent to the same penalty and delays.

16.05.01. For ~~Championships~~ **all Competitions**, a copy of each team's Player Licence List shall be communicated ~~to every other team participating in the Competition at the start of the Technical Meeting. Protests relating to matters of player eligibility must be submitted to the Chief Technical Commissioner within 24 (TWENTY FOUR) hours of the communication of the Player Licence List.~~

~~16.05.02. For Cups, A copy of each team's Player Licence List shall be communicated~~ by the ESF Licence Administrator to every other team participating in the Competition no later than 15 (FIFTEEN) days prior to the start of the Competition. **The publication on the ESF Web Site will be considered as such communication.** Protests relating to matters of player eligibility must be submitted to the Chair of the Technical Commission no later than 7 (SEVEN) days before the start of the Competition.

16.06. The Federation or Club team shall present a copy of the Application Form for Licences at the ID. Control in the tournament, together with its Official Competition Roster and the Passports and/or ID. Cards of all players present.

16.07. The Official Competition Roster of players shall consist only of names of the persons who are already on the Application Form for Licences. All other persons shall be automatically banned from participation.

16.08. The Technical Committee may suspend a player for a certain period by withdrawing a Licence.

16.09. If requested by the Organizers, participating teams shall send them their expected final roster, together with a team photo, at the latest thirty days before the official opening day of the Competition.

## PLAYERS QUALIFICATION

17. 00. To take part in the European Cups all players must conform to articles 14.06, 17.01 and 17.02 as follows :

17. 01. Being entered by their Club on the corresponding Official Competition Roster.

17. 02. Being a bona fide Member of the Club they are entered by.

Note : the requirement of article 17.02 does not apply to pick-up Players as defined in article 14.06

17.03. A player can represent only one Club in European Cup Competition for a given year and hence can appear on only one Application Form for Licences from only one Club.

~~17.04. Deleted In addition all players having a different nationality to that of the Federation they represent must present at the ID Control Meeting of each Competition, together with the Licence Application Form, a letter from the National Federation they represent stating that they fulfill the conditions of articles 17.01 and 17.02 and the Official proof of residency as stipulated in articles 14.06 and 17.02.a.~~

17.05. In case of protest pursuant to article 16.05.01 the Technical Commission shall take a decision on the eligibility of the Player in question and make it public before the Technical Meeting. The decision of the Technical Commission shall be based on the information obtained from the plaintiff who put the protest and the National Federation and Club who guaranteed the eligibility of the Player.

17.06. However if during or after the Competition the information obtained by the Technical Commission pursuant to article 17.04 or by the Technical Committee pursuant to article 31.03.02 is proved to be incorrect, the Executive Council may impose sanctions.

## OFFICIAL COMPETITION ROSTER

18.01. At the ID.control meeting, teams participating in a Competition shall hand in a completed Official Competition Roster. This Roster may contain names for **a maximum of** seventeen players in fastpitch, or eighteen players in Coed slowpitch, who will be the only ones entitled to take part in the Competition. In addition this Roster may contain a maximum of eight names of coaches, instructors and/or therapists in total.

18.02. Only players whose names have already been entered on the Application Form for Licences of the team, and who have validly been checked by the Technical Committee, as per articles 15, 16 and 17, can be entered on the Official Competition Roster.

18.03. transferred as 16.05

18.04. Only players and other team members entered on the Official Competition Roster are allowed to enter the Competition fields and dug-outs.

18.05. Only players entered on the Official Competition Roster are entitled to appear on the line-up forms for the games of the Competition. In case of dispute concerning the qualification of a player, the Official Competition Roster shall be the reference document.

## CEREMONIAL

**19.01.** Participating Teams shall make all necessary arrangements to be present at the Opening Ceremony and at the Closing Ceremony of the Competition.

**19.02.** To be considered as "present", a team must be represented by a minimum of 9 (nine) members. Only players and other team members entered on the Official Competition Roster of a given team may represent said team at the Opening and Closing Ceremonies.

**19.03.** During the Opening and Closing Ceremonies, team members must wear team uniforms pursuant to article 22.01 or must be all dressed alike.

**19.04.** During the Opening and Closing Ceremonies, team members shall conduct themselves with the most appropriate manner. In particular, eating, drinking, unsportsmanlike or inadequate gestures, or excessive demonstrations are strictly prohibited.

**19.05.** Teams which do not abide by articles 19.01 to 19.04 will be subject to the penalties specified in the Financial Appendix, without prejudging of any disciplinary sanctions as decided by the Executive Council.

## PLAYING FIELDS

**20.** The first base dug-out is for the visiting team and the third base dug-out is for the home team.

**21.** The double first base (safety base) is mandatory for all ESF Competitions.

## TEAM UNIFORM

**22.01.** All players must be uniformed alike in a given team. Notwithstanding article 7.02.c of the ISF Technical and Procedural Code, players in European Competitions may wear either short or long trousers/pants, however they must stay uniformed within a given team.

**22.02.** In the European Championships the National team players must have the name of their country, or an emblem depicting their national origin, on the front of the uniform.

**22.03.** Numbers must be shown on the back of the uniform and be minimum 15 cm. in height.

**22.04.** The name of one or more sponsors may appear on a team's uniform. However, then the looks of sponsors' name(s) and/or logo(s) must be the same and be on the same locations on the uniform.

**23.01.** Caps, visors and headbands are optional for female players and may be mixed, as long as the colour is the same for all headgear of the whole team.

**23.02.** Two teams shall not in any games wear the same or similar colored uniforms. Each team shall be required to have a contrast color / dark color shirt and a white / light color shirt. The home team will wear a contrasting colored / dark color shirt and the visiting team will wear a white / light color shirt.

## CANDIDATES FOR ORGANIZING A COMPETITION

**24.01.01.** The Federation or Club that wishes to host a European Competition ~~must have two fields for the tournament,~~ and shall present its candidature to the ESF Headquarters, together with a payment of a bona fide deposit of 20 per cent of the guarantee sum specified for organizing this Competition at least 90 days prior to the date of the Annual General Congress which shall decide of the appointment of Organizers. **The Competition should have two fields, except for Minime and Cadette Competitions where, depending on the expected number of teams that will enter the competition, candidatures with only one field may be accepted. In case of having only one field it should be provided with artificial light.**

**24.01.02. The Candidature must clearly propose a date and the exact location where the competition will take place if appointed so in case of a vote among various bids to host a competition, Delegates can choose not only the country but also the city and date.**

**24.02.01.** Should there be more than one candidate to host a European Competition, then the final choice shall be made by the General Congress of the ESF at its annual meeting.

**24.02.02.01.** Should there be no candidate to host a European Competition at the closing of the General Congress, then the limit date to receive candidatures shall be extended until the last day of February of the given year.

**24.02.02.02.** Should there be no candidate to host a European Competition after the deadline as contemplated in article 24.02.02.01, then the Competition shall be cancelled for the current year.

**24.02.02.03.** Should there be more than one candidate to host a European Competition after the deadline as contemplated in article 24.02.02.01, then the final choice shall be made by the Executive Council of the ESF.

**24.03.** Once it has been officially appointed, the host Federation or Club shall pay an additional 30 per cent of the guarantee sum specified for organizing this Competition before February 15th of the year in which the Competition is played. The balance of 50 per cent of this guarantee sum shall be paid at the latest forty days before the starting date of the Competition.

The guarantee sum paid by the candidate Organizers not appointed, will be refunded.

**24.04.** Candidatures to host European Competitions must conform to the requirements of the articles of the present Regulations and to the Technical Regulations.

**24.05.01.** Once it has been officially appointed, the host federation or Club shall send within one month to the participating teams, after control by the ESF Executive Council and Technical Commission, a list of at least three appropriate hotels chosen and available for the accommodation of teams, to be referred to as "approved hotels".

**24.05.02.** Teams wishing to use accommodation not in this list shall receive prior approval of the organizer. In the absence of such approval, transportation of the teams between hotels and fields shall be under their sole responsibility.

**24.05.03.** If within one month after it has been officially appointed the Organizer has not sent the list of approved hotels, participating teams are free for their own accommodation and the Organizer remains responsible of their transportation between hotels and fields within a 25 km radius.

## INSPECTION OF COMPETITION ORGANIZATION

**25.01.** ~~The ESF Secretary General shall send an Inspection Form to Organizers of the European Competitions after the acceptance of their candidature.~~ **The ESF, through its web Site, shall make available an Inspection Form for Organizers of European Competitions.** The completed Inspection Form shall be returned to the ESF Secretary General with all necessary documents, no later than 120 days before the start of the Competition. The ESF Secretary General shall distribute the completed Inspection Form to the Members of the Executive Council, the Chairman of the Technical Commission, the Chairman of the ~~Tournaments~~ **Competitions** Commission and the appointed Inspector

**25.02.01.** The Executive Council of the ESF shall appoint a representative hereafter referred to as "the Inspector" to inspect the fields and examine the total organization of each Competition prior to the start of the Competition.

**25.02.02.** The travel costs of the Inspector to the Organizers' country are under the responsibility of the ESF. The expenses for local transportation, board, accommodation and related costs of the Inspector are under the responsibility of the Organizers.

**25.03.** The Inspector shall send his Report to the ESF Secretary General, who shall distributes it to the Members of the Executive Council, the Chairman of the Technical Commission, the Chairman of the Tournaments Commission, and the Organizers.

**25.04.** If the Inspection reveals that the requirements, duties and obligations expected of the Organizers have not been met or carried out, the Organizers must correct these omissions before the opening of the Competition.

**25.05.** In case of serious and legitimate doubt, The Executive Council may decide to conduct a second Inspection to verify if the revealed omissions have been corrected. All the costs of this second inspection shall be under the responsibility of the Organizers.

**25.06.** Accommodation of the Inspector shall comply with the requirements for accommodation of Official as stipulated in the Technical Regulations.

## ASSIGNMENTS AND APPOINTMENTS OF OFFICIALS

**26.** All assignments and appointments of Officials shall be approved by the Executive Council for every European Competition, as follows :

**26.01.** The Executive Council appoints one of its Members as Official Executive Delegate of the ESF.

**26.01.01. In A Division Cup Competitions, the attendance of the appointed Executive Delegate for the entire duration of the competition or for only the last part of the Competition will be subject to the decision of the host Club.**

**26.01.02. In B Division and lower Divisions Cup Competitions the attendance of the appointed Executive Delegate for the entire duration of the competition, for only the last part of the competition, or for not attending at all will be subject to the decision of the host Club.**

**26.02.01** The Executive Council appoints the Chief Technical Commissioner and the Technical Commissioners upon proposal of the ~~President~~ **Chairman** of the Technical Commission.

**26.02.02. Local Technical Commissioners are nominated by the Organizers. They must be able to communicate in English. Their appointment must be approved by the Chairman of the Technical Commission and confirmed by the Executive Council.**

**26.03.** The Executive Council appoints the Umpires Commissioner and approves the assignment of Umpires upon proposal of the President of the Technical Commission on the recommendation of the Umpire-in-Chief.

**26.04.** Scorers are assigned by the Organizers. However the Executive Council may object to a scorer's assignment upon motivated advice of the President of the Technical Commission.

## **DUTIES OF OFFICIALS**

**27.** The Officials assigned to European Competitions represent the ESF and shall act as such in all circumstances. They shall perform their duties in full neutrality, objectivity, and impartiality and with the adequate attitude and behaviour. In particular, Officials, this including Members of the Executive Council, of the Technical Committee and Umpires, shall not wear patent or visible signs or marks of nationality or of belonging to a Nation, a national Federation, or a Team.

**27.01.** The Official Executive Delegate shall be the Representative of the ESF for the entire duration of the Competition, and is vested of the authority on other ESF Officials and the Organizers to guarantee that the Competition is organized and conducted in accordance with the Objectives, Principles and Regulations of the ESF. The Official Executive Delegate chairs the protocolar ceremonies and assumes the promotional and relational responsibilities of the ESF towards the organizers and the local Authorities. The Official Executive Delegate acts as the appeal organ for cases subject to appeal during the Competition, and as a liaison with the Executive Council.

**27.02.** The Technical Committee is in charge of the technical aspect of the Competition. It is made of the following Officials, endowed with the following responsibilities :

**27.02.01.** The Chief Technical Commissioner is responsible for the coordination and the supervision of the Technical Committee of the Competition. The Chief Technical Commissioner shall be present for the entire duration of a European Competition. In particular, the Chief Technical Commissioner is in charge of the scheduling of the Competition, and of the respect by the Organizers of the organization requirements.

**27.02.02.** The Technical Commissioners act under the authority of the Chief Technical Commissioner. One Technical Commissioner shall be present at every game of a Competition. Technical Commissioners shall be either permanent members of the Technical Commission or Assistant Technical Commissioners appointed among local competent persons.

**27.02.03.** The Umpire Commissioner is responsible, under the supervision of the Chief Technical Commissioner, of the management, the assignment, the follow-up and evaluation of the Umpires during the Competition. The Umpire Commissioner is responsible of the technical training of the Umpires during the Competition in order to maintain and guarantee the required technical level of umpiring.

**27.02.04.** The Umpires assigned to a Competition must be present at the venue in time for a pre-tournament meeting as specified by the Technical Committee.

**27.03.** The Technical Committee shall be responsible for and enforce the technical aspects of the Competitions, and ensure that the Rules of Softball, the ESF Competitions and Technical Regulations are scrupulously respected. In particular, the Technical Committee shall :

**27.03.01.** check the identity and eligibility and qualification of the participating players ;

**27.03.02.** check when necessary the respect of the legal requirements for participating players and teams ;

**27.03.03.** check the conformity of the Competition's installations and facilities with the Rules of Softball, and the Competitions and Technical regulations ;

**27.03.04.** take any sanctions to be imposed when a player or team member has been ejected from a game ;

**27.03.05.** take any appropriate decision in case of protest ;

**27.03.06.** control and verify the conformity and the availability of the statistics ;

**27.03.07.** propose to the Executive Council any penalty as stated in the ESF Regulations in case of violation or disrespect by the Organizer or by a team or by a team member of its obligations.

**27.04.** The Executive Council may, upon proposal of the Technical Commission, require that the Chief Technical Commissioner will arrive one day in advance at the venue of the Competition to confirm that the necessary actions required have been satisfactorily executed. The expenses for this additional day shall be under the responsibility of the Organizers.

## ACCREDITATION OF MEDIAS

**28.01.** The Executive Council may accredit representatives of the medias at a Competition.

**28.02.** The conditions of media accreditation shall be on such terms as are required by the ESF and shall be binding on the Organizers.

**28.03.** Only ESF accredited media representatives may have access to the Competition's venue and perform their activity as such.

**29.** deleted (see article 27.02.04)

## SCOREKEEPING AND STATISTICS

**30.01.** The host Federation or Club shall appoint at least one official scorekeeper for each game and provide them with softball-specific scoring sheets. Scorekeepers shall be experienced in softball and qualified for their function. The List of assigned Scorers shall be sent to the Technical Commission at least one month before the beginning of the Competition.

During the scorekeeping they shall be accommodated in a "Scoring House" near the field as mentioned in the Technical Regulations.

Immediately after each game the scorecards shall be available for the Technical Committee.

**30.02.01.** After each day of a European Competition the results of the games shall be communicated by the Chief Technical Commissioner to the ESF Secretary General in accordance with the Technical Regulations

**30.02.02.** After each day of a European Competition the results and statistics shall be made available for all E.C. and T.C. members who are present at the Competition.

**30.03.** After completion of a European Competition, the detailed results and statistics shall be communicated to the ESF Secretary General within fourteen days in accordance with the Technical Regulations.

## PROTESTS

**31.00.** Protests shall be made according to the ISF Rules.

**31.01.** Protests regarding the interpretation or application of the Rules of Softball shall be notified to the Plate Umpire. The Plate Umpire shall then notify the Technical Committee. Protests regarding the eligibility of Players shall be notified directly to the Technical Committee.

**31.02.** When notified of a protest, the Technical Committee may decide to suspend the game under protest until it makes its decision. In such case the Technical Committee may require that the Official written protest be lodged in less time than the delay stipulated in article 31.03.

**31.03.** Except if the Technical Committee has suspended the game and required a specific delay as per article 31.02, the Official written protest shall be lodged within fifteen minutes after the notification of intent to lodge protest. Official protests shall be written in the English or French languages. Upon reception of an Official written protest the Technical Committee shall meet immediately and make its decision without delay.

**31.03.01.** The decisions of the Technical Committee on protests regarding the interpretation or application of the Rules of Softball are not be subject to appeal.

**31.03.02.** The decisions of the Technical Committee on protests regarding the eligibility of Players may be subject to appeal in case of supervening of new elements as stipulated in article 17.06.

**31.04.** In case of illegal protest or wrong use of protest the Technical Committee may propose to the Executive Council a financial penalty against the offending team.

**31.05.** Protests may also be made by Officials, Members of the Executive Council of the ESF, Members of the Technical Committee of the ESF and/or Umpires.

## **OBLIGATIONS AND DUTIES OF ORGANIZERS**

**33.00.** Notwithstanding other requirements as stated in present Regulations and in the Technical Regulations, the host Federation or Club shall pay the following expenses :

**33.01.** Accommodation, board and local transportation for the Officials, the Members of the Executive Council of the ESF, the Members of the Technical Committee and the Umpires, in accordance with the requirements of the Technical Regulations

Provisions shall be made for this from the day before the start of the Competition up to and including the day after the end of the Competition.

Similar provisions shall be made for an additional day for the Chief Technical Commissioner pursuant to article 27.04. when necessary.

**33.02.** Game balls for the Competition, in accordance with the ISF Rules.

*NOTE : Thanks to sponsoring, game balls may be provided free of charge until otherwise stated. If game balls are sponsored, then the Organizers must provide a place on the fields for this sponsor's publicity.  
If requested by the sponsor, Organizers must provide a place near the fields for this sponsor's sales stand.*

**33.03.** General expenses for awarding the Competitions, as mentioned in article 39.03.

The medals for the first, second and third places ( gold, silver and bronze ) of the European Competitions are provided and settled by the ESF

**33.04.** Local transportation for the teams between the hotel(s) and the fields pursuant to article 24.05.

**33.05.** Presence of qualified first aiders at the Competition sites.

**34.01.** The Organizers shall arrange for insurance to cover their responsibilities and liabilities within the framework of the Organization of the Competition.

**34.02.** The Organizers shall make sure that there is no reference, in the Competition's documents, programs, accreditation system, to the nationality or country of belonging of the Officials, this including the Members of the Executive Council, the Technical Committee, the Umpires.

**35.** When the requirements, duties and obligations of the Organizers are not met, even in part, the Executive Council of the ESF may decide upon a proposal of the Technical Committee not to refund part or the whole of the guarantee sum referred to in article 24.

## **OBLIGATIONS AND DUTIES OF PARTICIPATING TEAMS**

**36.01.** All teams, except the team of the host Federation, shall be present at the place established for the Competition no less than twelve hours before the first scheduled game.

At least one representative of each team shall be present at the Technical Meeting

**36.02.** The teams are responsible for their traveling expenses to and from the Competition venue at their arrival and departure, board and lodging.

**36.03.** Each team is responsible for the traveling expenses of one Umpire.

**37.** When in the frame of the Competition the requirements and obligations of a team are not met, even in part, or if any member of a team does not behave according to generally accepted Morals and Ethics and in a Sportive Spirit, the Executive Council of the ESF may decide preferably upon a proposal of the Technical Committee to impose penalties, the amount of which will be determined by the Executive Council.

**38.01.** The participating teams shall arrange for insurance cover for all their members according to their national legal requirements relating to participation to sport competition, this including civil responsibility, personal injuries, medical treatment and specific protection of minor players, and shall certify their insurance cover by affidavit delivered at the ID Control Meeting.

**38.02.** The First Aid Assistance supplied by the Organizers shall cover only the on-the-field emergencies and not further medical treatment.

**38.03.** The ESF is not responsible for any material or physical damage occurring within the framework of the Competition.

## **AWARDS**

**39.01.01.** The European Challenge Trophies for European Competitions shall be presented by the President of the ESF, if present, or the Official Executive Delegate to the winning team after each Competition. The winner may keep the Trophy until the next Competition. They shall engrave their name and the year of victory on the Trophy.

**39.01.02.** Each Title Bearer holding a European Challenge Trophy shall be responsible to bring it to the Congress of the year of the next Competition.

**39.01.03.** Each Organizer, under supervision of its National Federation, shall be responsible for the reception of the corresponding European Challenge Trophy in the Congress and of its presence and availability at the venue of the Competition.

**39.02.** All personal awards shall be determined, after all games have been played, by a Committee presided over by the Chief Technical Commissioner at the Competition.

**39.03.00.** The host Federation or Club is responsible for the following awards :

**39.03.01.** An extra Trophy for the winner of the Competition

**39.03.02.** Trophies for all participating teams

**39.03.03.** Personal awards :

**39.03.03.01.** Award for the Best Pitcher, on the basis of the "Earned Runs Average", with a minimum of 1.6 "Innings Pitched" per game in Youth categories (Minime, Cadet, Junior) and a minimum of 2.1 "Innings Pitched" per game in Senior category.

**39.03.03.02.** Award for the Best Batter, on the basis of the "Batting Average", with a minimum of 2.0 "Total Appearances" per game in Youth categories (Minime, Cadet, Junior) and a minimum of 2.5 "Total Appearances" per game in Senior category.

**39.03.03.03.** Award for the Most Valuable Player.

**39.03.04.** If desired by the host Federation or Club, it may also give personal awards for :

**39.03.04.01.** The Best Infielder.

**39.03.04.02.** The Best Outfielder.

**39.03.05.** If the host Federation or Club wishes to present additional awards, it may do so only after having received formal permission from the Executive Council.

**39.03.06. The host Federation or Club must make sure that the engravings of all awards provided by them are written at least in English.**

## **SPECIFIC REGULATIONS FOR YOUTH COMPETITIONS**

### **40.01. GAMEBALLS**

**40.01.01.** In Cadette Competition the 12 inches gameball shall be in use.

**40.01.02.** In Minime Competition the 11 inches gameball shall be in use.

### **40.02. PITCHING DISTANCE**

**40.02.01.** In Cadette Competition the pitching distance shall be 12,19 m.

**40.02.02.** In Minime Competition the pitching distance shall be 10,67 m.

### **40.03. DURATION OF GAMES**

**40.03.01.** In Cadette Competition games shall be played in SIX (6) innings and shall not exceed TWO (2) hours.

**40.03.02.** In Minime Competition games shall be played in FIVE (5) innings and shall not exceed TWO (2) hours.

**40.03.03.** If, before one hour and forty-five minutes of play, the said number of innings is complete (which includes the home team being ahead at the beginning of, or drawing ahead during, the bottom of the last inning), with a result other than a draw, the game shall be regulation.

**40.03.04.** If the said number of innings is not complete at one hour and forty-five minutes, the Plate umpire shall call 'No New Inning'. The inning in progress will then be played to completion or until the home team draws ahead. If the inning in progress ends in a draw, extra inning(s) will be played until a result other than a draw is obtained.

**40.03.05.** All extra innings will be played under 'tie-break' rules.

**40.03.06.** The time limit of two hours does not apply for the Page System Games (Semi-Finals and Finals)

#### **40.04. PROVISIONS FOR PITCHERS**

**40.04.01.** There is no specific provision for Pitchers in Cadette Competition.

**40.04.02.** In Minime Competition Pitchers are subject to the following limitations : No more than FOUR (4) innings in a Game ; No more than SIX (6) innings in a Day ; No more than NINE (9) innings in TWO (2) consecutive days.

The sanction for not respecting these limitations is an automatic game loss (5-0) for the offending Team.

The Official Scorekeepers will be in charge of recording and controlling the innings accounted to each Pitcher under the responsibility of the Technical Committee.

An inning is accounted to a Pitcher as soon as the Player appears in an inning in the Pitcher's position.

#### **40.05. PROTECTION OF YOUNG PLAYERS**

**40.05.01** At the ID Control each Team will be required to endorse the following declaration :

That each Player fulfils the Rules of the ESF with regard to nationality and age.

That each Player has been duly authorized by her parents/legal representative/tutor to participate to the Competition and that the Team's Management has been invested of the legal authority/responsibility on the Players.

That each Player conforms to the Rules of the National Federation of belonging with regard to qualification and participation to Competitions.

That each Player fulfils the medical requirements and provisions of the Laws of the Country of the National Federation of belonging with regard to participation to Competitions.

That the Team's Management assumes the entire civil/penal responsibility in case of violation of the above mentioned provisions.

**40.05.02.** The ESF is not responsible for incorrect or false declarations.

### **SPECIFIC REGULATIONS FOR SLOWPITCH COED COMPETITIONS**

#### **41.01. PLAYERS**

The number of Players is ten (10) : Same as Fastpitch plus an extra fielder. Ten Players, five (5) males and five(5) females : Two (2) males and two (2) females in both the infield and outfield, and one (1) male and one (1) female as pitcher and catcher.

#### **41.02. BATTING ORDER**

The Batting Order shall alternate the genders.